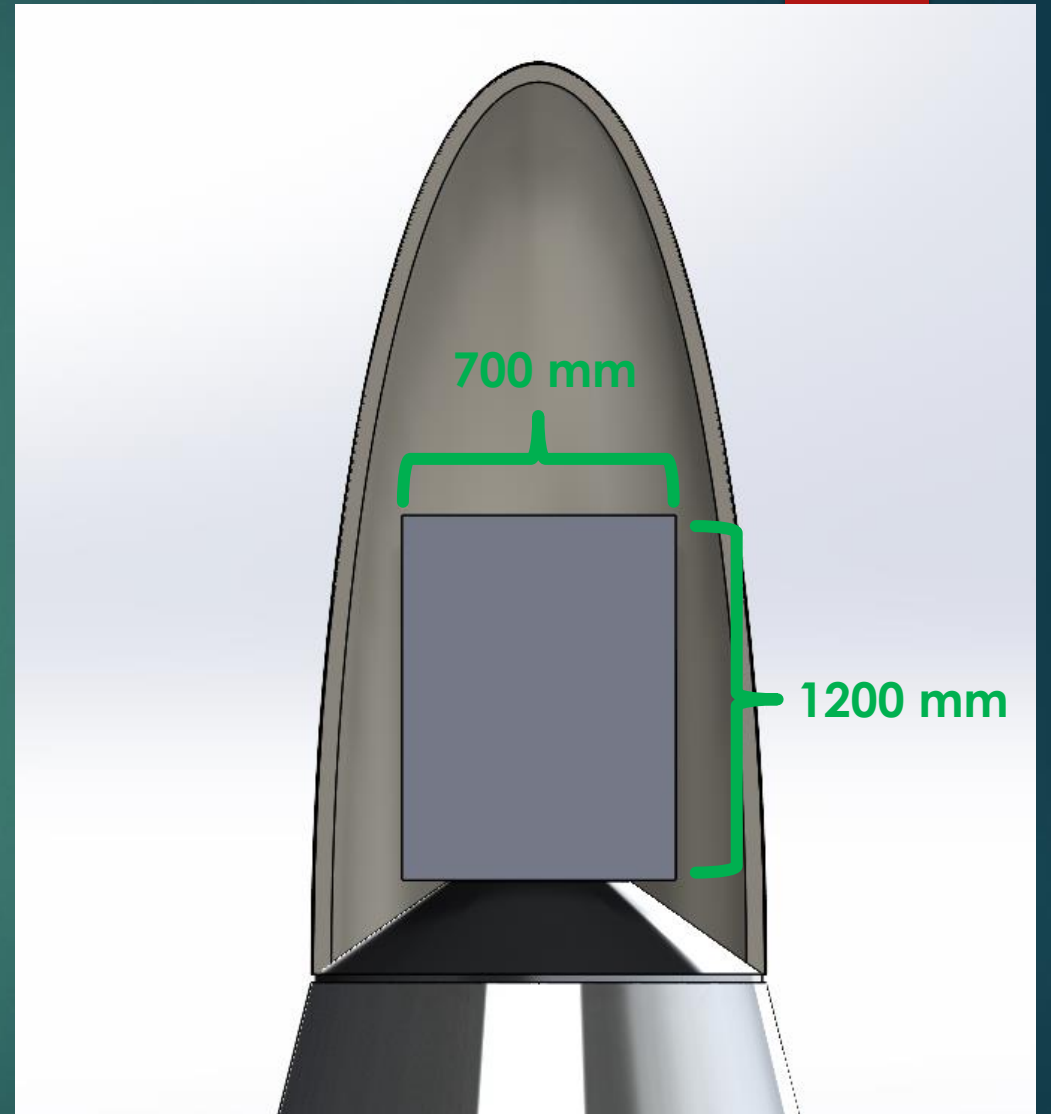
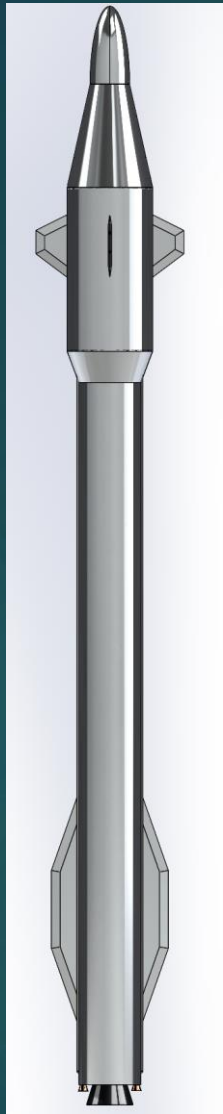
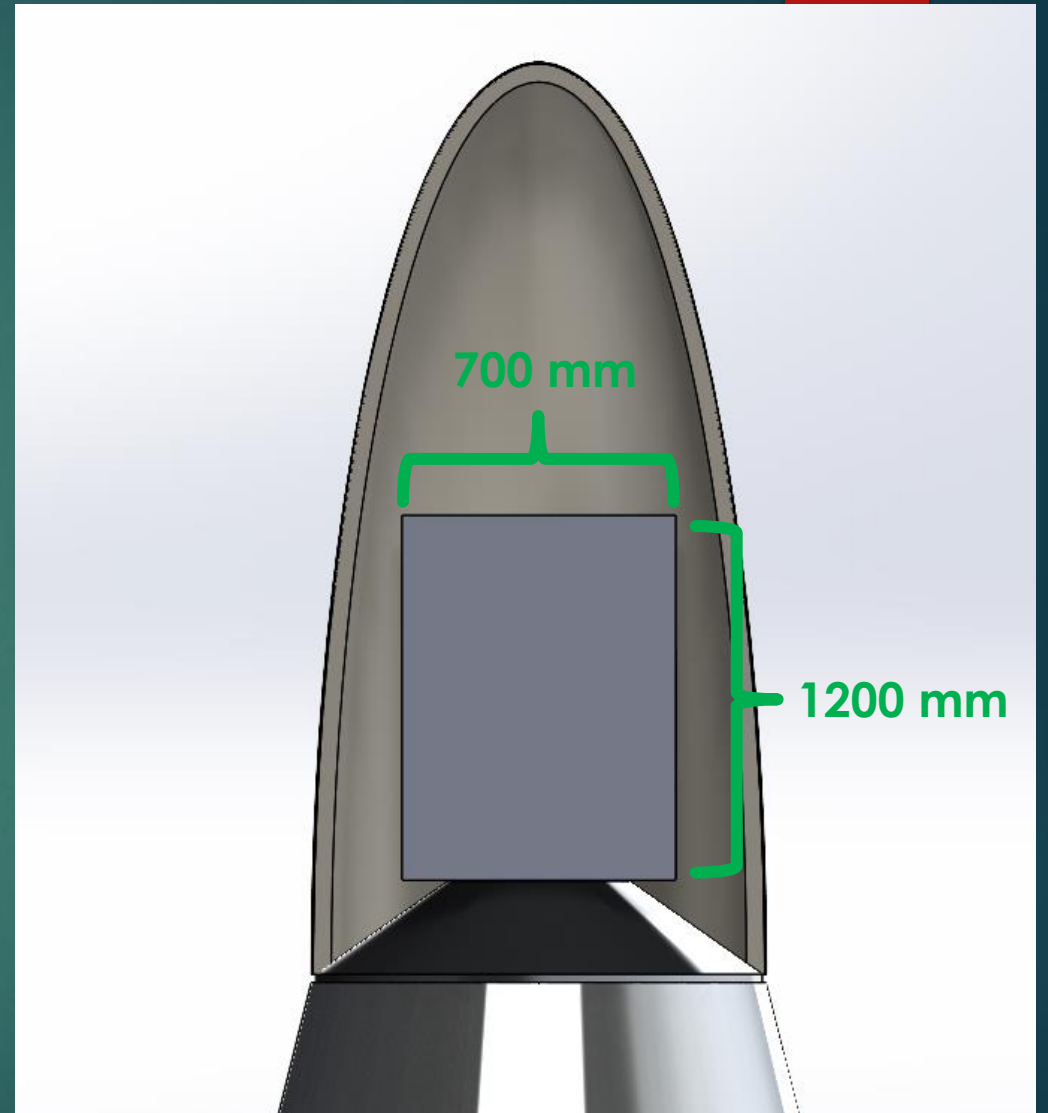


A-SpaX Rocket S



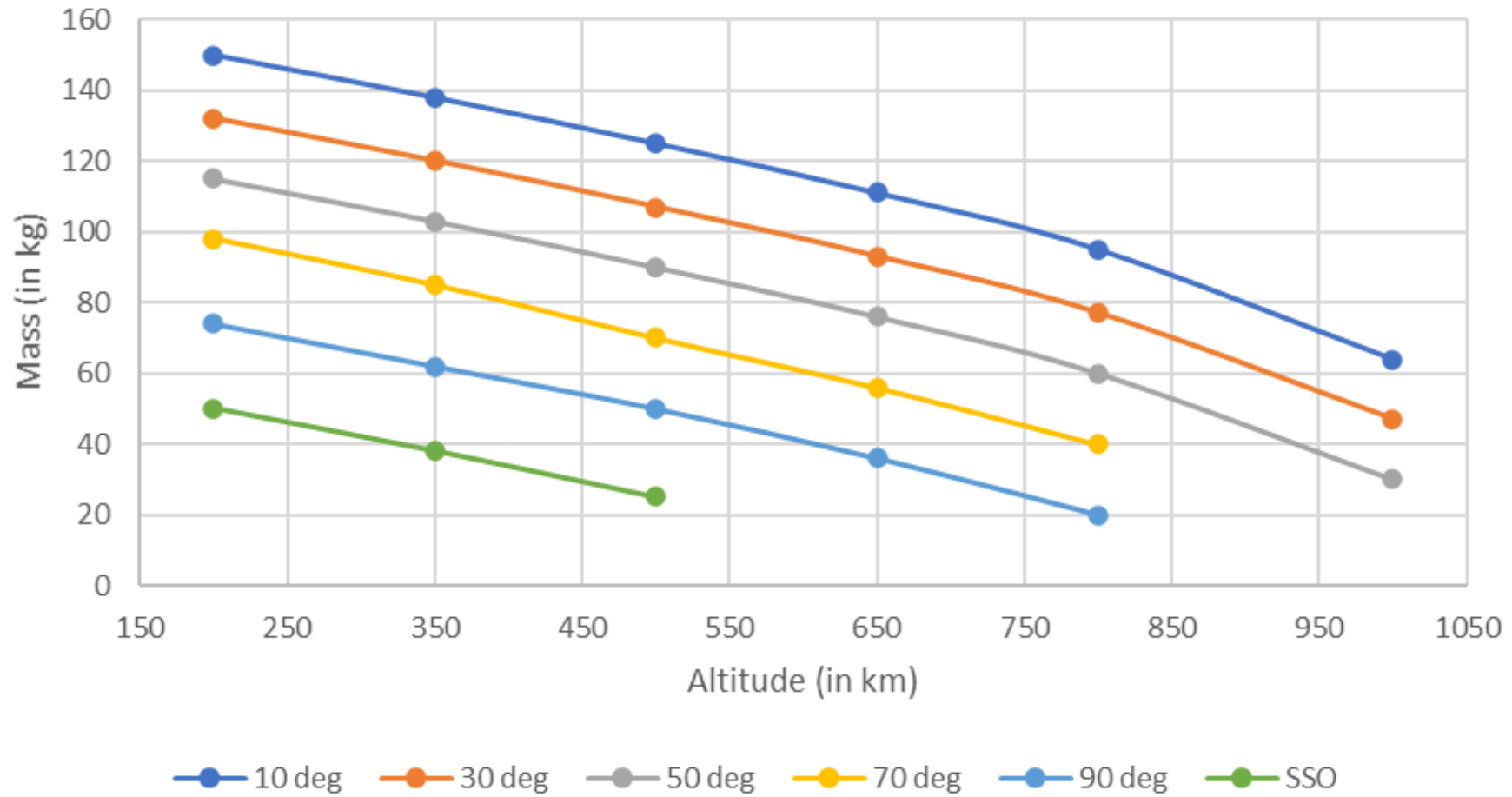
- ▶ Second stage lands under parachute in the sea
- ▶ Payload mass up to 200 kg
- ▶ Connection ports available
 - ▶ 1000 W continues power
 - ▶ Up and downlink connection
 - ▶ Status connection
- ▶ Fairing can be pressurized if needed
- ▶ Fairing volume 0,8 M³ or a (satellite) cube of 700x700x1200mm (L,W,H)



A-SpaX Rocket Specs

Configuration:	2 stages (reusable)
Height:	28 meter
Diameter:	1,6 meter/2,2 meter
Propellant:	Solid & LOX+RP1
Propulsion:	Solid & Pressure-fed
Launch site:	i.a. Kourou (CSG), flexible
Type:	Reusable
Payload capability:	Up to 200 kg* (reusable)
Payload volume:	0,8 M³ (standard)
Launch cost:	7 million Euro (initially)

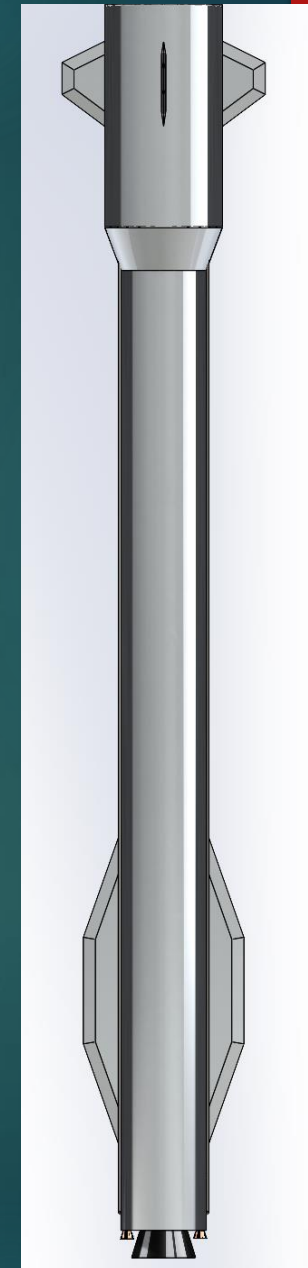
Capability to circular orbits



*200+ kg optional with fairing separation or no reuse first/second stage

First stage

Configuration:	Reusable
Height:	22 meter
Diameter:	1,6 meter (solid) & 2,2 meter (liquid)
Propellant:	Solid & LOX+RP1
Propulsion:	Solid & Pressure-fed
Material:	Stainless steel
Stage separation:	After 100 seconds
Mass (wet):	60547 kg
Specific impulse:	230 Sec. (solid) & 260 Sec. (liquid)
Delta V:	1777 m/s (with 1650 m/s of losses)
Landing:	Propulsive



Second stage

Configuration:	Reusable
Height:	6 meter
Diameter:	2,2 meter
Propellant:	LOX+RP1
Propulsion:	Pressure-fed
Material:	Stainless steel
Payload separation*:	After 360 seconds
Diameter fairing:	1 meter
Mass (wet):	4591 kg
Specific impulse:	317 Sec.
Delta V:	5832 m/s (with 550 m/s of losses)
Heat shield:	Ablative
Landing:	Parachute

**In reused configuration payload separation is optional

